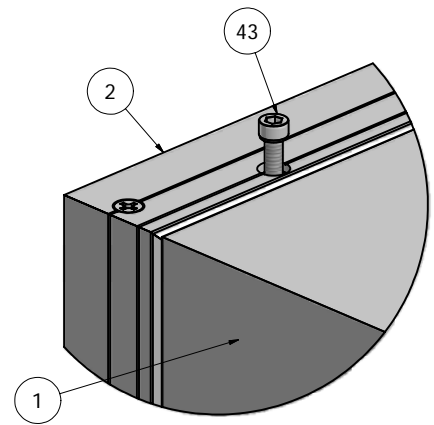
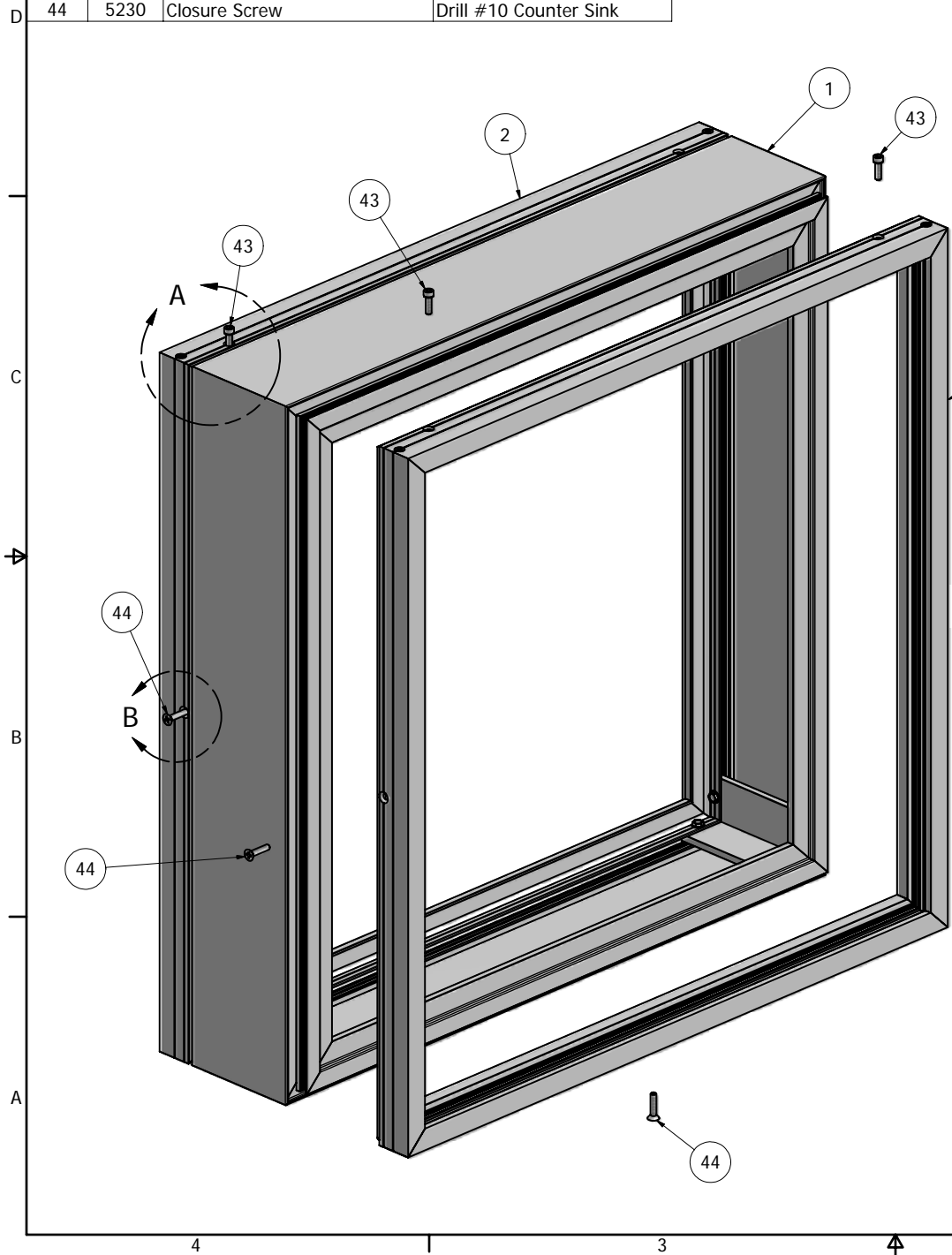
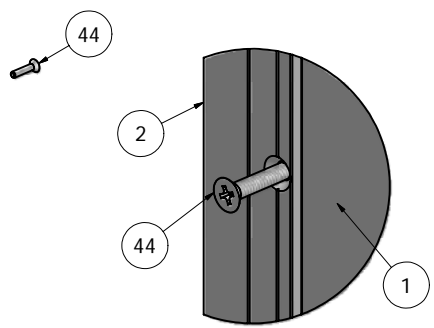


Parts List			
ITEM	PART #	DESCRIPTION	NOTES
1	K1592	Series 7 Hinge Body	Assembly
2	K1626	3/4" Slide Retainer	Assembly
43	5280	Hinge Screw	Drill 11/32" Pilot Hole
44	5230	Closure Screw	Drill #10 Counter Sink

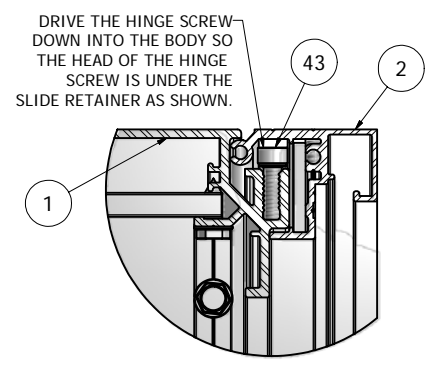
Ship To:
Order #:



DETAIL A



DETAIL B



DETAIL D

NOTE: PRE-CUT KITS ARE NOT PRE-DRILLED.
(Holes shown in this drawing are for reference only.
Drilling of pilot holes are to be done by fabricator.)

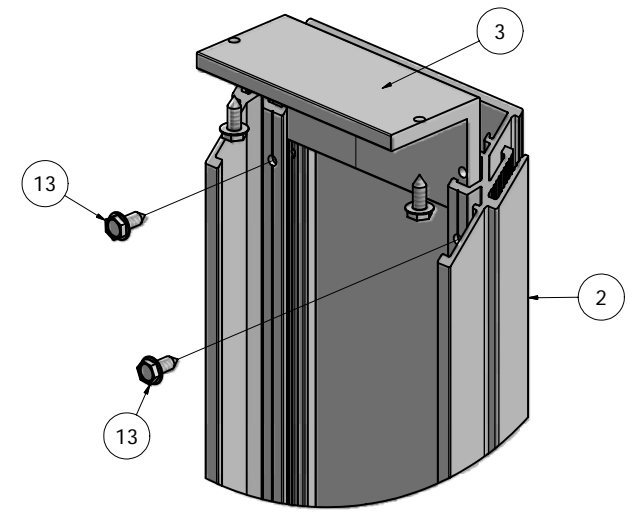
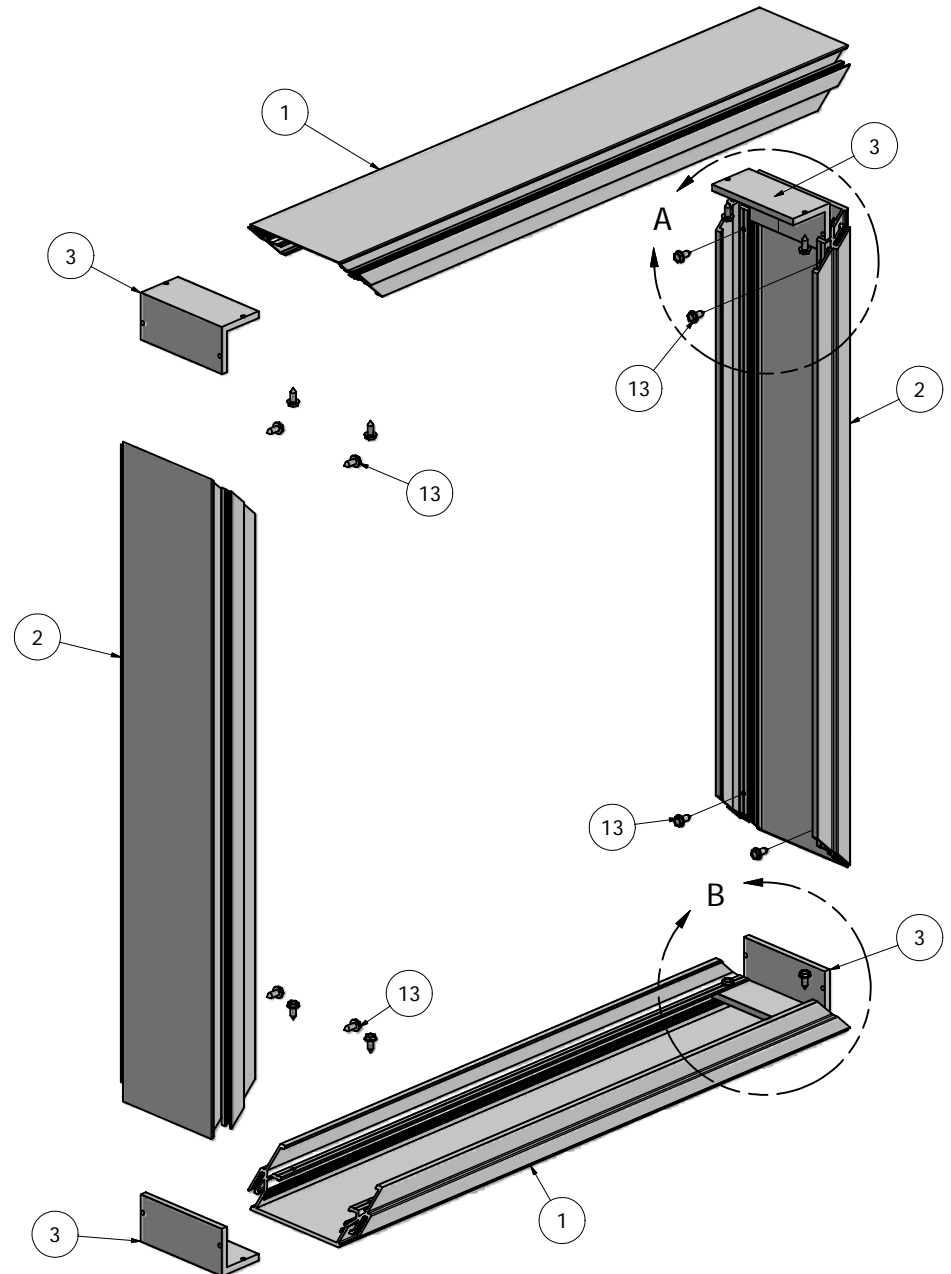
THIS DRAWING WAS CREATED AT NO CHARGE TO ASSIST YOU IN VISUALIZING OUR PROPOSAL. THE DRAWING HEREIN IS THE PROPERTY OF SIGNCOMP. PERMISSION TO COPY OR REVISE THIS DRAWING OR TO USE THIS DRAWING FOR PRODUCTION IS STRICTLY PROHIBITED AND CAN ONLY BE COPIED, REVISED OR USED FOR PRODUCTION WITH THE EXPRESSED WRITTEN PERMISSION OF SIGNCOMP.

DRAWN	Steve	12/23/2008	SignComp		
CHECKED					
QA			TITLE		
MFG			Series 7 Hinge Body with 3/4" Slide Retainer - Assembly		
APPROVED			SIZE	DWG NO	REV
			C	K1592/1626	
			SCALE	SHEET 1 OF 1	

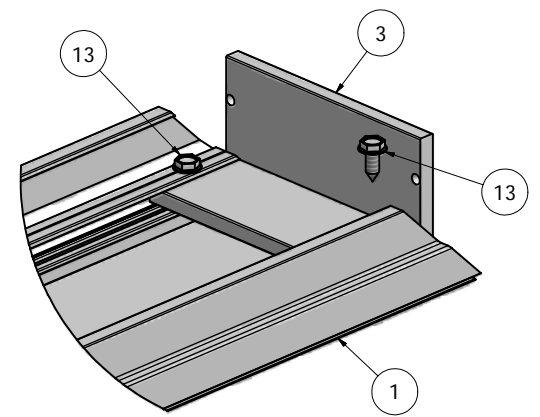
Parts List			
ITEM	PART #	DESCRIPTION	NOTES
1	1592	Series 7 Hinge Body	Top & Bottom
2	1592	Series 7 Hinge Body	Sides
3	5344	Series 7 Hinge Body Corner Angle	
13	5218	Corner Angle Screw	Drill 5/32" Pilot Hole

Ship To:

Order #:



DETAIL A



DETAIL B

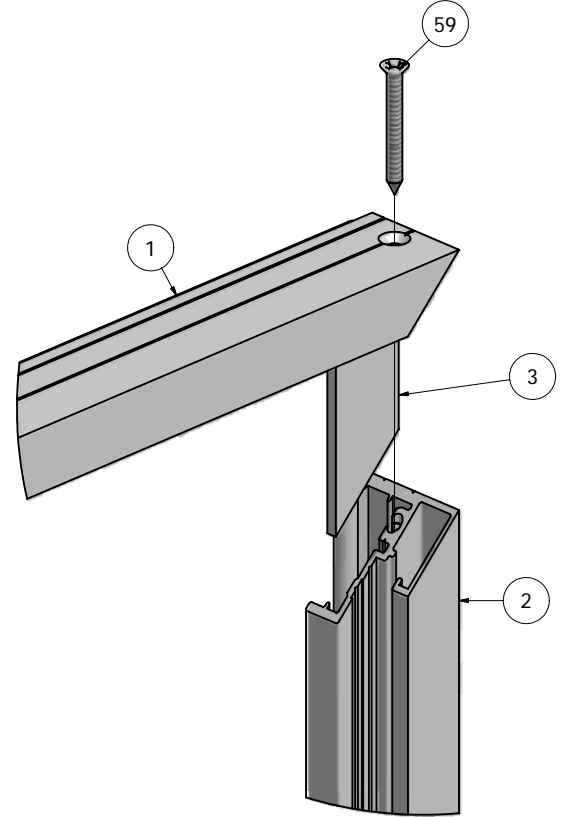
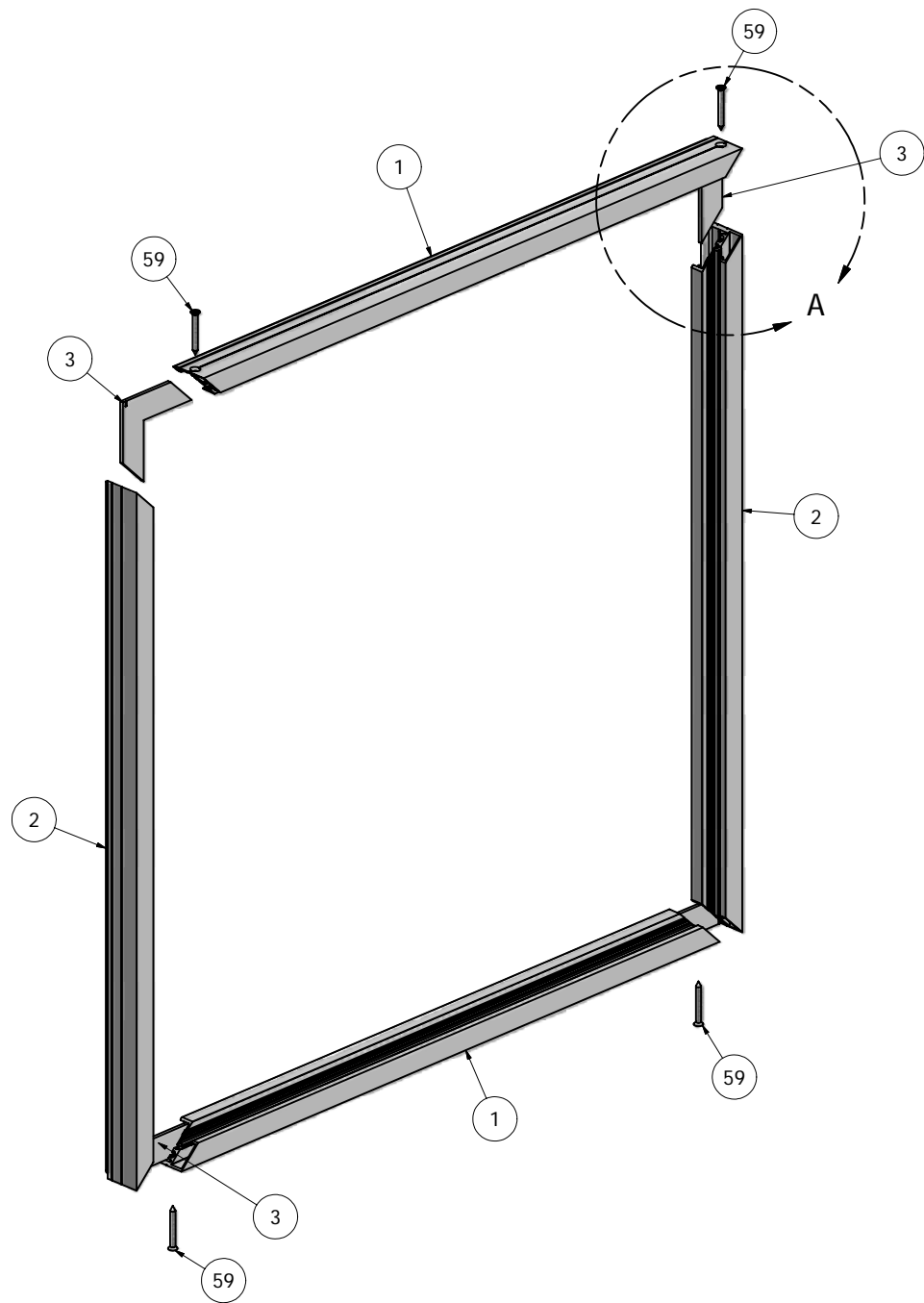
NOTE: PRE-CUT KITS ARE NOT PRE-DRILLED.
 (Holes shown in this drawing are for reference only.
 Drilling of pilot holes are to be done by fabricator.)

THIS DRAWING WAS CREATED AT NO CHARGE TO ASSIST YOU IN VISUALIZING OUR PROPOSAL. THE DRAWING HEREIN IS THE PROPERTY OF SIGNCOMP. PERMISSION TO COPY OR REVISE THIS DRAWING OR TO USE THIS DRAWING FOR PRODUCTION IS STRICTLY PROHIBITED AND CAN ONLY BE COPIED, REVISED OR USED FOR PRODUCTION WITH THE EXPRESSED WRITTEN PERMISSION OF SIGNCOMP.			
DRAWN Steve	12/12/2008	<div style="text-align: center;">SignComp</div> TITLE Series 7 Hinge Body - Assembly	
CHECKED			
QA			
MFG			
APPROVED			
	SIZE C	DWG NO K1592	REV
	SCALE	SHEET 1 OF 1	

Parts List			
ITEM	PART #	DESCRIPTION	NOTES
1	1626	3/4" Slide Retainer	Top & Bottom
2	1626	3/4" Slide Retainer	Sides
3	5226	Corner Key	Special Corner Key for the 1626
59	5270	3/4" Slide Retainer Corner Screw	#8 Counter Sink - Pre-Drilled

Ship To:

Order #:



DETAIL A

NOTE: PRE-CUT KITS ARE NOT PRE-DRILLED.

(Holes shown in this drawing are for reference only.
Drilling of pilot holes are to be done by fabricator.)

THIS DRAWING WAS CREATED AT NO CHARGE TO ASSIST YOU IN VISUALIZING OUR PROPOSAL. THE DRAWING HEREIN IS THE PROPERTY OF SIGNCOMP. PERMISSION TO COPY OR REVISE THIS DRAWING OR TO USE THIS DRAWING FOR PRODUCTION IS STRICTLY PROHIBITED AND CAN ONLY BE COPIED, REVISED OR USED FOR PRODUCTION WITH THE EXPRESSED WRITTEN PERMISSION OF SIGNCOMP.

DRAWN	12/22/2008	<h1>SignComp</h1> <p>3/4" Slide Retainer - Assembly</p>		
Steve				
CHECKED				
QA				
MFG				
APPROVED		SIZE	DWG NO	REV
		C	K1626	
		SCALE	SHEET 1 OF 1	